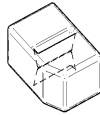


## Water Tanks Small

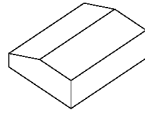
**Code**                      **Description**  
WTC420                      420 Litre 500 x 800 x 1200 Baffled Tank Black or Natural



**Code**                      **Description**  
WT400                      400 Litre 1050 x 650 x 625 Tank Black or Natural



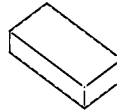
**Code**                      **Description**  
WTA279                      279 Litre 1150 x 950 x 320 x 155 Angled Tank Black or Natural



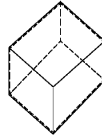
**Code**                      **Description**  
WT200                      200 Litre 1000 x 560 x 380 Tank Black or Natural



**Code**                      **Description**  
WT196                      196 Litre 1300 x 650 x 250 Tank Black or Natural



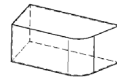
**Code**                      **Description**  
WTA128                      128 Litre 700 x 600 x (360 to 300) Angled Tank Black or Natural



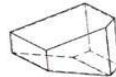
**Code**                      **Description**  
WT120                      120 Litre 600 x 600 x 360 Tank Black or Natural



**Code**                      **Description**  
WTC120                      120 Litre 420 x 585 x 925 Curved Tank Black or Natural



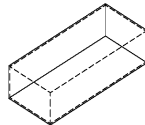
**Code**                      **Description**  
WTA112                      112 Litre 446 x 480 x 730 Angled Tank Black or Natural



**Code**                      **Description**  
WTC105                      105 Litre 340 x 645 x 750 Curved Tank Black or Natural



**Code**                      **Description**  
WT102                      102 Litre 260 x 430 x 1000 Tank Black or Natural



**Code**                      **Description**  
WTF100                      100 Litre 150 x 485 x 1465 Flat Tank Black or Natural

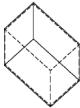
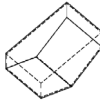
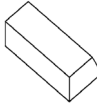
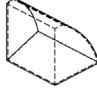
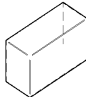
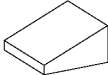
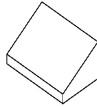

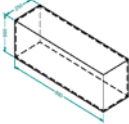
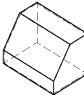
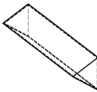
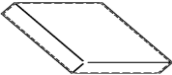


Unless otherwise expressed all Prices exclude GST and Freight. Prices are subject to change without notice. Quantity Breaks apply to one product, one size, and one colour.

All material used in rotational moulded products is UV resistant suitable for NZ and Australian conditions. All reference to size are nominal.

PO Box 378, Blenheim 7240. 24 Stuart Street, Blenheim 7201 info@indac.co.nz www.indac.co.nz

NZ Freephone 0800 803 888 Freefax 0800 274 467 Australian Freephone 1800 5533 055 Freefax 1800 553 550

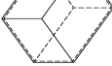

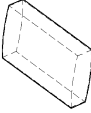

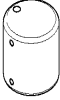

<b>Code</b> WT100	<b>Description</b> 100 Litre 330 x 470 x 740 Tank Black or Natural	
<b>Code</b> WTA98	<b>Description</b> 98 Litre 950 x 550 x 140 Angled Tank Black or Natural	
<b>Code</b> WTA90	<b>Description</b> 90 Litre 220 x 360 x 460 x 1004 Angled Tank Black or Natural	
<b>Code</b> WTA87	<b>Description</b> 87 Litre 616 x 555 x 445 Angled Tank Black or Natural	
<b>Code</b> WT80	<b>Description</b> 80 Litre 305 x 385 x 715 Tank Black or Natural	
<b>Code</b> WTA70	<b>Description</b> 70 Litre 750 x 470 x (347-90) Angled Tank Black or Natural	
<b>Code</b> WTA69	<b>Description</b> 69 Litre 750 x 470 x (347-90) Angled Tank Black or Natural	
<b>Code</b> WTA 65	<b>Description</b> 65 Litre 95 x 405 x 440 Angled Tank Black or Natural	
<b>Code</b> WT60	<b>Description</b> 60 Litre 880 x 250 x 300 Tank Black or Natural	
<b>Code</b> WTA57	<b>Description</b> 57 Litre 370 x 355 x 500 Angled Tank Black or Natural	
<b>Code</b> WTA56	<b>Description</b> 56 Litre 380 x 320 x 1050 Angled Tank Black or Natural	
<b>Code</b> WT53	<b>Description</b> 53 Litre 800 x 500 x 150 Tank Black or Natural	

Unless otherwise expressed all Prices exclude GST and Freight. Prices are subject to change without notice. Quantity Breaks apply to one product, one size, and one colour.

All material used in rotational moulded products is UV resistant suitable for NZ and Australian conditions. All reference to size are nominal.

PO Box 378, Blenheim 7240. 24 Stuart Street, Blenheim 7201 info@indac.co.nz www.indac.co.nz

NZ Freephone 0800 803 888 Freefax 0800 274 467 Australian Freephone 1800 5533 055 Freefax 1800 553 550

<b>Code</b>	<b>Description</b>	
WT45	45 Litre 500 x 250 x 400 Tank Black or Natural	
<b>Code</b>	<b>Description</b>	
WTA45	45 Litre 310 x 310 x 438 x 1050 Angled Tank Black or Natraul	
<b>Code</b>	<b>Description</b>	
WT35	35 Litre 185 x 335 x 695 Tank Black or Natural	
<b>Code</b>	<b>Description</b>	
WT34	34 Litre 850 x 230 x 200 Tank Black or Nataraul	
<b>Code</b>	<b>Description</b>	
WTR35	35 Litre 350 x 370 Round Tank Black or Natural	
<b>Code</b>	<b>Description</b>	
WTR70	70 Litre 695 x 370 Round Tank Black or Natural	

**Water Tanks Small****Water Tanks – Small Adjustable**

Tanks made Using The 600 X 475 Adjustable Mould

Are available in Black or Natural

<b>Code</b>	<b>Tank size</b>	<b>Nominal</b>	<b>Product</b>	<b>Wall</b>
		<b>Capacity</b>	<b>Weight</b>	<b>Thickness</b>
		<b>Ltrs</b>	<b>KG</b>	<b>MM</b>
WTAJ24	600 x 475 x 100	24	4.5	6
WTAJ38	600 x 475 x 150	38	5	6
WTAJ51	600 x 475 x 200	51	5.5	6
WTAJ65	600 x 475 x 250	65	6	6
WTAJ78	600 x 475 x 300	78	6.5	6
WTAJ92	600 x 475 x 350	92	7.5	6
WTAJ105	600 x 475 x 400	105	8	6
WTAJ119	600 x 475 x 450	119	8.5	6
WTAJ133	600 x 475 x 500	133	9	6
WTAJ146	600 x 475 x 550	146	9.5	6
WTAJ160	600 x 475 x 600	160	10.25	6
WTAJ173	600 x 475 x 650	173	10.75	6
WTAJ187	600 x 475 x 700	187	11.5	6
WTAJ200	600 x 475 x 750	200	12	6
WTAJ210	600 x 475 x 800	210	16.5	8
WTAJ223	600 x 475 x 850	223	17.5	8
WTAJ237	600 x 475 x 900	237	18.25	8
WTAJ250	600 x 475 x 950	250	19	8
WTAJ263	600 x 475 x 1000	263	20	8

**Custom Plastic Water Tanks made to measure**

These tanks are moulded in food approved . Black or natural medium density polyethylene

The tanks are rotationally moulded which avoids the problems of welding the plastic together to produce the tank.

The advantaged of this are as follows:

- 1) We can produce just about any shape tank that is required
- 2) There are no messy or leaking welded joints on the product.
- 3) The tanks look far more professional.
- 4) If the order is for two or more tanks of the same shape and size we can produce identical tanks as they are produced from a mould rather than cut and welded together.

XSWFITT \$15.00 set up plus Fitting and \$5.00 each extra fitting thereafter

Unless otherwise expressed all Prices exclude GST and Freight. Prices are subject to change without notice. Quantity Breaks apply to one product, one size, and one colour.

All material used in rotational moulded products is UV resistant suitable for NZ and Australian conditions. All reference to size are nominal.

PO Box 378, Blenheim 7240. 24 Stuart Street, Blenheim 7201 info@indac.co.nz www.indac.co.nz

NZ Freephone 0800 803 888 Freefax 0800 274 467 Australian Freephone 1800 5533 055 Freefax 1800 553 550

**Fittings**

Code	Description
XSWT12B	½" BSP (15mm) Female Flush Fitting
XSWT34B	¾" BSP (19mm) Female Flush Fitting
XSWT1B	1" BSP (25mm) Female Flush Fitting
XSWT114B	1 ¼" BSP (32mm) Female Flush Fitting
XSWT112B	1 ½" BSP (40mm) Female Flush Fitting
XSWT2B	2" BSP (50mm) Female Flush Fitting
XSWT3B	3" BSP (75mm) Female Flush Fitting
XSWDB	2" Buttress Style Thread Drain Black
XSWDBW	2" Bung to Suit Thread Drain White with O'Ring



Code	Description
CCROP455C	Croplands Lid 455mm Complete
CCROP355C	Croplands Lid 355mm Lid Complete
CCROPBRE	Croplands Lid Breather Only 355mm/455mm
CCROP255C	Croplands Lid 255mm Lid Complete
CRXTANKLIDAG620	Arag Tank Lid 620mm



CRXTMFE50	50mm Threaded Male/Female Elbow
-----------	---------------------------------



**Inspection Hatches for Water Tanks**

WINH6B	Inspection Hatch 6" (150mm) Black
WINH5B	Inspection Hatch 5" (125mm) Black
WINH4B	Inspection Hatch 4" (100mm) Black
WINH6W	Inspection Hatch 6" (150mm) White
WINH5W	Inspection Hatch 5" (125mm) White
WINH4W	Inspection Hatch 4" (100mm) White



**Water Tanks – Large**

Code	Description
WRX500B	500 Litre Tank – Black / Natural
WRX500G	500 Litre Tank – Green
Dimensions:	Dia 840mm Height 1135mm Weight 16kg 110 Gallons
WRX1100B	1100 Litre Tank – Black / Natural
WRX1100G	1100 Litre Tank – Green
Dimensions:	Dia 1200mm Height 1330mm Weight 33kg 242 Gallons
WRX2000B	2000 Litre Tank – Black / Natural
WRX2000G	2000 Litre Tank - Green
Dimensions:	Dia 1500mm Height 1500mm Weight 50kg 440 Gallons
WRX3200B	3200 Litre Tank – Black / Natural
WRX3200G	3200 Litre Tank – Green
Dimensions:	Dia 1830mm Height 1490mm Weight 80kg 705 Gallons
WRX5250B	5250 Litre Tank – Black / Natural
WRX5250G	5250 Litre Tank - Green
Dimensions:	Dia 2120mm Height 1800mm Weight 115kg 1154 Gallons
WRX7500B	7500 Litre Tank – Black / Natural
WRX7500G	7500 Litre Tank - Green
Dimensions:	Dia 2510mm Height 1910mm Weight 150kg 1650 Gallons
WRX15000B	15000 Litre Tank Black / Green
Dimensions:	Dia 3M Height 2520mm Weight 300kg



Unless otherwise expressed all Prices exclude GST and Freight. Prices are subject to change without notice. Quantity Breaks apply to one product, one size, and one colour.

All material used in rotational moulded products is UV resistant suitable for NZ and Australian conditions. All reference to size are nominal.

PO Box 378, Blenheim 7240. 24 Stuart Street, Blenheim 7201 info@indac.co.nz www.indac.co.nz

NZ Freephone 0800 803 888 Freefax 0800 274 467 Australian Freephone 1800 5533 055 Freefax 1800 553 550

**Water Tanks - Maxi Tanks**

Code	Description
WRX25000B	25,000 Litre Maxi Tank Black
WRX25000C	25,000 Litre Maxi Tank Coloured
Dimensions:	Dia 3500mm Height 3000mm Weight 375kg 5,500 gallons
WRX30000B	30,000 Litre Maxi Tank Black
WRX30000C	30,000 Litre Maxi Tank Coloured
Dimensions:	Dia 3900mm Height 3000mm 6600 Gallons



600mm Access Lid



These 2 tanks come with two 2 inch BSP outlets situated at the base of the tank for easy connections

Site Access: Adequate clearance through gateways & under trees required.  
Also sufficient circle for 20 metre long delivery vehicle.

**Water Tanks - Molasses Tanks**

Code	Description
WRX500LMB	500 Litre Tank Molasses Black
Dimensions:	Dia 840mm Height 1135mm 110 Gallons
WRX1100LMB	1100 Litre Tank Molasses Black
Dimensions:	Dia 1200mm Height 1330mm 242 Gallons
WRX2000LMB	2000 Litre Tank Molasses Black
Dimensions:	Dia 1500mm Height 1500mm 440 Gallons
WRX3200LMB	3200 Litre Tank Molasses Black
Dimensions:	Dia 1830mm Height 1490mm 705 Gallons
WRX5250LMB	5250 Litre Tank Molasses Black
Dimensions:	Dia 2120mm Height 1800mm 1154 Gallons
WRX7500LMB	7500 Litre Tank Molasses Black
Dimensions:	Dia 2510mm Height 1910mm 1650 Gallons
WRX25000LBMB	25000 Litre Tank Molasses Black
Dimensions:	Dia 3500mm Height 3000mm 5,500 gallons



Code	Description
WRXHT675B	Header Tank 675 Litre Black Tank with Lid
Dimensions:	1290mm Top, 1290mm Base x 580mm High

**Heavy Duty Foam Walled Tanks**

Code	Description
WRXF500B	500 Litre Tank - Black
Dimensions:	Diameter 840mm Height 1135mm
WRXF1100B	1100 Litre Tank - Black
Dimensions:	Diameter 1200mm Height 1330mm
WRXF2000B	2000 Litre Tank - Black
Dimensions:	Diameter 1500mm Height 1500mm
WRXF3200B	3200 Litre Tank - Black
Dimensions:	Diameter 1830mm Height 1490mm
WRXF5250B	5250 Litre Tank - Black
Dimensions:	Diameter 2120mm Height 1800mm
WRXF7500B	7500 Litre Tank - Black
Dimensions:	Diameter 2510mm Height 1910mm

Unless otherwise expressed all Prices exclude GST and Freight. Prices are subject to change without notice. Quantity Breaks apply to one product, one size, and one colour.

All material used in rotational moulded products is UV resistant suitable for NZ and Australian conditions. All reference to size are nominal.

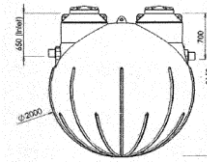
PO Box 378, Blenheim 7240. 24 Stuart Street, Blenheim 7201 info@indac.co.nz www.indac.co.nz

NZ Freephone 0800 803 888 Freefax 0800 274 467 Australian Freephone 1800 5533 055 Freefax 1800 553 550

**Septic Tanks**

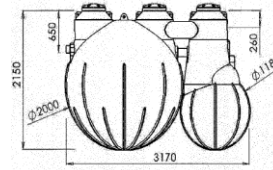
**Code**  
WRXST3300

**Description**  
Septic Tank Single Stage Filter 3300 Litre  
Excavation Hole Size 3000 Long x 3000 Wide x 2200 Deep



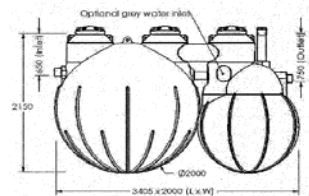
**Code**  
WRXST4300

**Description**  
Septic Tank & Pump Chamber Single Stage Filter 4300 Litre  
Excavation Hole Size 3800 Long x 2600 Wide x 2200 Deep



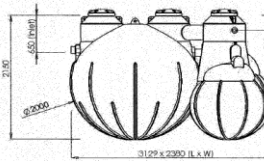
**Code**  
WRXST4800

**Description**  
Septic Tank Two Stage Filter 4800 Litre  
Excavation Hole Size 4000 Long x 2600 Wide x 2200 Deep



**Code**  
WRXST5500

**Description**  
Septic Tank & Pump Chamber 2 stage Filter 5500 Litre  
Excavation Hole Size 4000 Long x 3500 Wide x 2200 Deep



**Troughs**

Dimensions: 780L x 430W x 250H

**Code**  
WTR45  
WTR45C

**Description**  
Trough 45 Litre Black or Natural  
Trough 45 Litre Coloured



Dimensions : 1160L x 620W x 300H

**Code**  
WRXTRRT100B

**Description**  
Trough 100 Litre Black



Dimensions: 1240L x 480W x 300H

**Code**  
WTR115  
WTR115C

**Description**  
Trough 115 Litre Black or Natural  
Trough 115 Litre Coloured



Dimensions : 1620 x 880 x 410 H

**Code**  
WRXTRRT300B

**Description**  
Trough Rectangular 300 Litre Black



Dimensions: 1180 Dia x 390 H

**Code**  
WRXTRRD200B

**Description**  
Trough Round 200 Litre Black



Dimensions: 1380 Dia x 430H

**Code**  
WRXTRRD450B  
WRXTRRD450G

**Description**  
Trough 450 Litre Black  
Trough 450 Litre Green



Dimensions: 1620 x 420 H

**Code**  
WRXTRRD500B

**Description**  
Trough Round 500 Litre Black



Dimensions : 2130 Dia x 580 H

**Code**  
WRXTRRD1200B

**Description**  
Trough Round 1200 Litre Black



Unless otherwise expressed all Prices exclude GST and Freight. Prices are subject to change without notice. Quantity Breaks apply to one product, one size, and one colour.

All material used in rotational moulded products is UV resistant suitable for NZ and Australian conditions. All reference to size are nominal.

PO Box 378, Blenheim 7240. 24 Stuart Street, Blenheim 7201 info@indac.co.nz www.indac.co.nz

NZ Freephone 0800 803 888 Freefax 0800 274 467 Australian Freephone 1800 5533 055 Freefax 1800 553 550