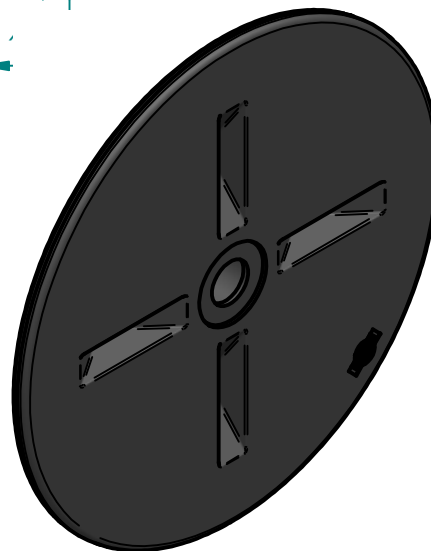
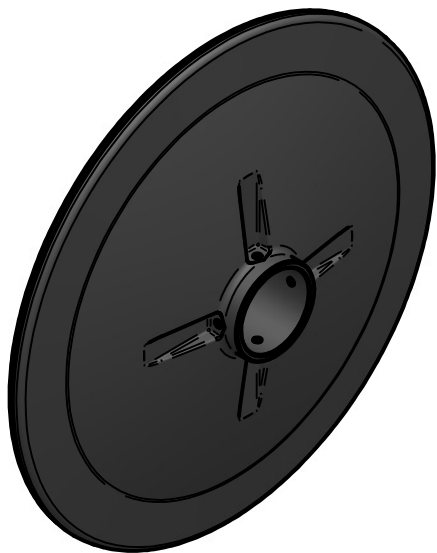
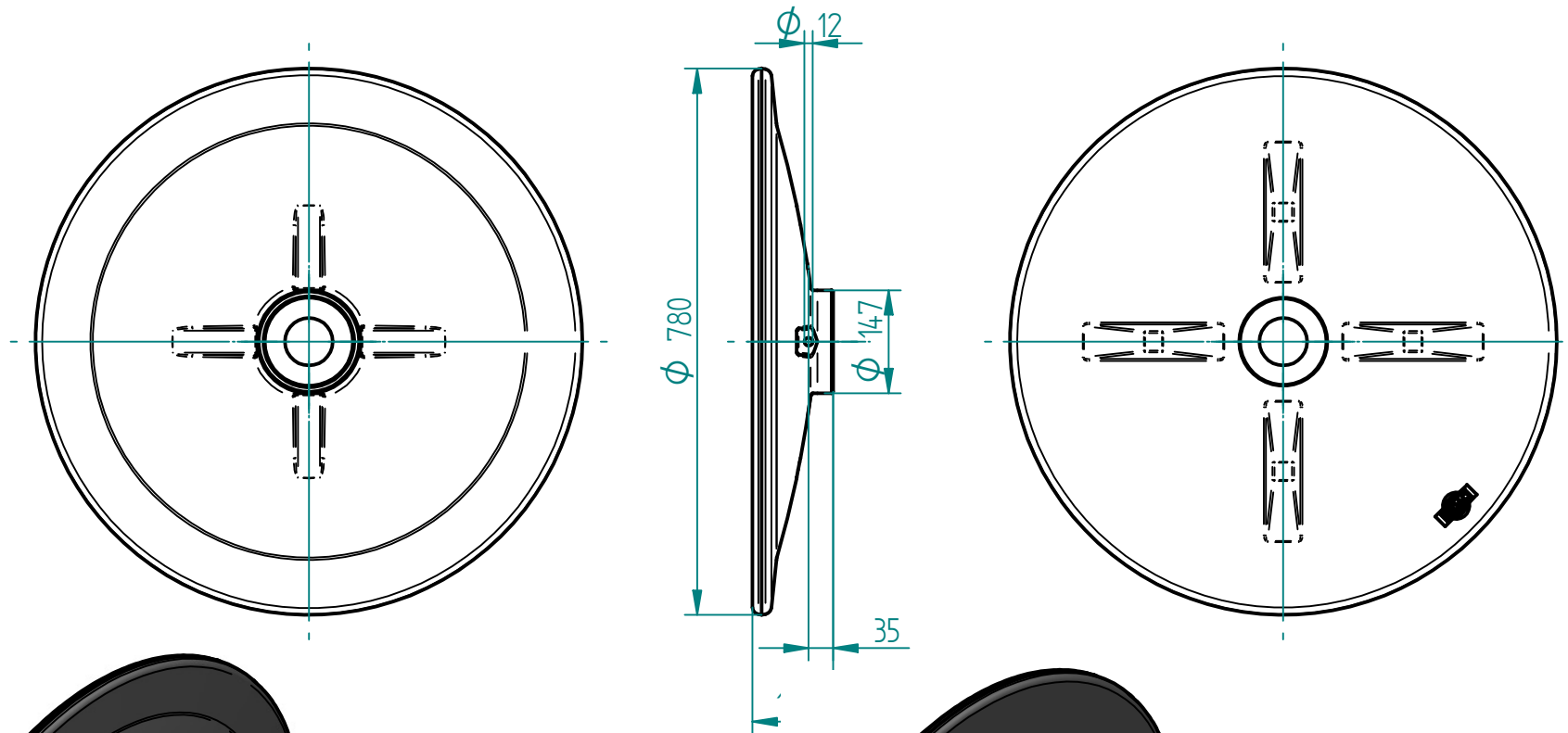


REV	DESCRIPTION	DATE	APPROVED
REVISION HISTORY			
INDAC			
INNOVATIVE DESIGN AND CONSTRUCTION			
Box 378		Phone: +64 3 578 3034	
26 Stuart Street		Fax: +64 3 578 2032	
Blenheim, N.Z.		Aust.Ph.: 1800 553 055	
www.indac.co.nz			

TITLE **Net Reel complete 1230mm length**

COPYRIGHT RESERVED	SCALE	DRAWN	markus	CHECKED		SIZE	
FILE NAME: Net Reel compl. 1230mm lg..dft	1 : 10 / 1 : 20	DATE	30/03/11	DATE	30/03/11	A4	
		DWG NO	SHEET 1 OF 3		REV		

All dimensions are nominal



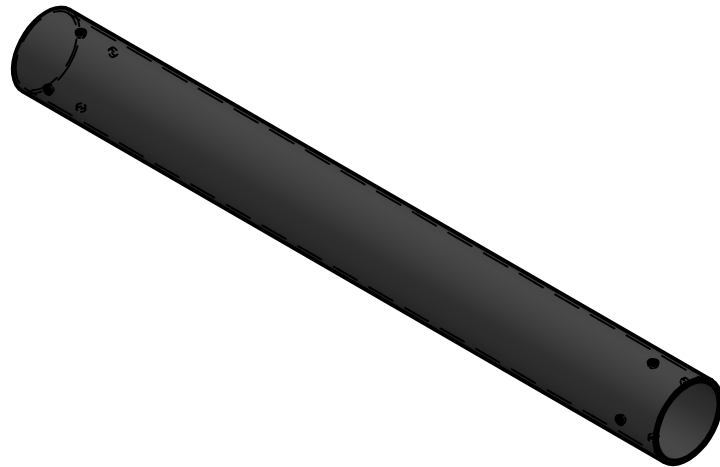
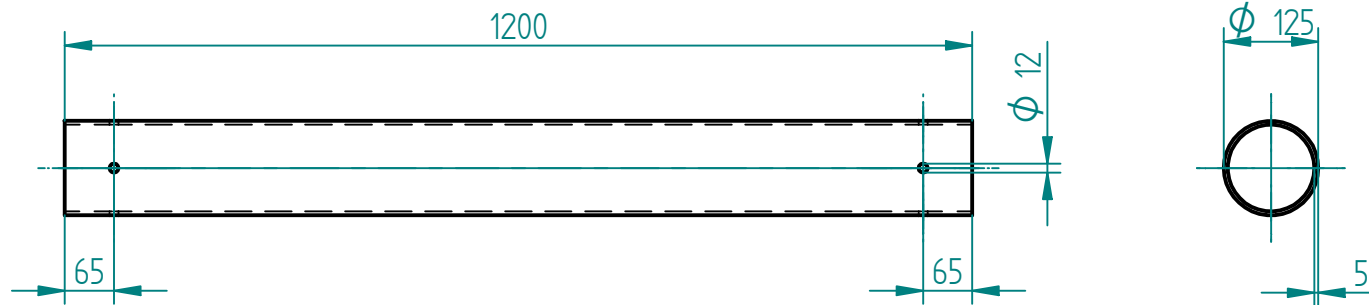
Weight: 4 kg

REV	DESCRIPTION	DATE	APPROVED
REVISION HISTORY			
INDAC			
INNOVATIVE DESIGN AND CONSTRUCTION			
Box 378		Phone: +64 3 578 3034	
26 Stuart Street		Fax: +64 3 578 2032	
Blenheim, N.Z.		Aust.Ph.: 1800 553 055	
www.indac.co.nz			

TITLE			
Net Reel complete 1230mm length			
DWG NO		SHEET 2 OF 3	REV

COPYRIGHT RESERVED	SCALE	DRAWN	markus	CHECKED		SIZE
FILE NAME: Net Reel compl. 1230mm lg.dft	1 : 10	DATE	30/03/11	DATE	30/03/11	A4

All dimensions are nominal



REV	DESCRIPTION	DATE	APPROVED
REVISION HISTORY			
INDAC			
INNOVATIVE DESIGN AND CONSTRUCTION			
Box 378		Phone: +64 3 578 3034	
26 Stuart Street		Fax: +64 3 578 2032	
Blenheim, N.Z.		Aust.Ph.: 1800 553 055	
www.indac.co.nz			

TITLE	Net Reel complete 1230mm length		
DWG NO		SHEET 3 OF 3	REV

COPYRIGHT RESERVED	SCALE	DRAWN	markus	CHECKED		SIZE
FILE NAME: Net Reel compl. 1230mm lg.dft	1 : 10	DATE	30/03/11	DATE	30/03/11	A4