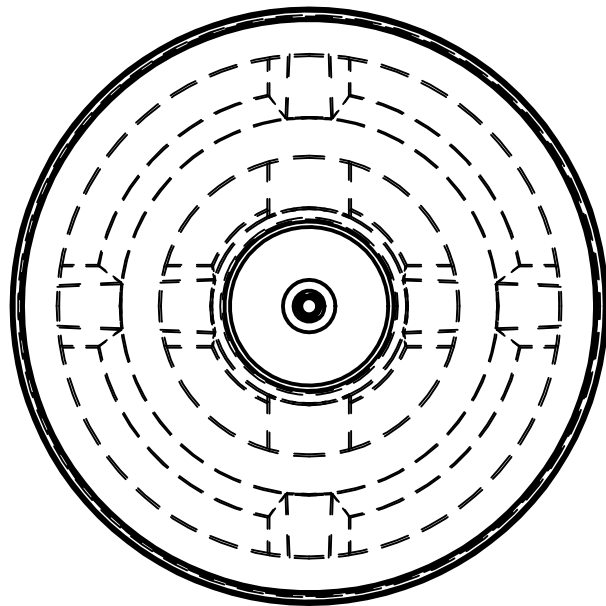
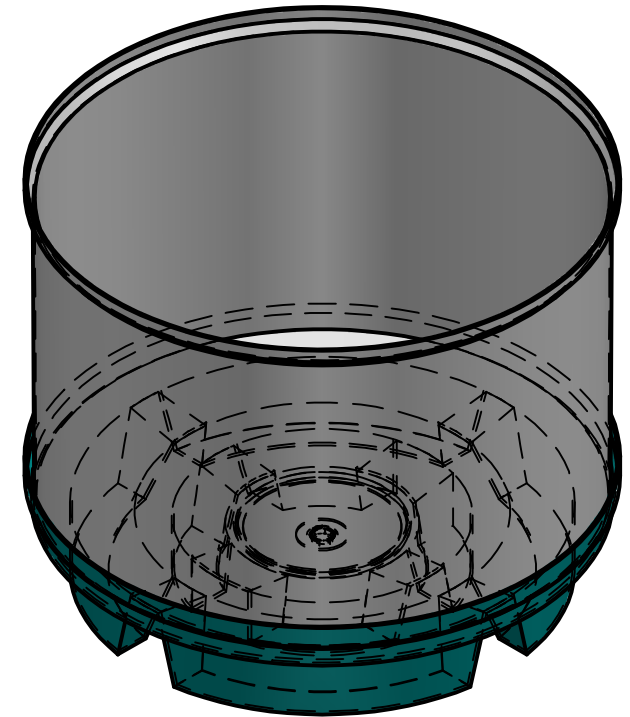


All dimensions are nominal



Nominal capacity 1700 lts

REV	DESCRIPTION	DATE	APPROVED
REVISION HISTORY			
INDAC			
INNOVATIVE DESIGN AND CONSTRUCTION			
Box 378		Phone: +64 3 578 3034	
26 Stuart Street		Fax: +64 3 578 2032	
Blenheim, N.Z.		Aust.Ph.: 1800 553 055	
www.indac.co.nz			

TITLE	Base & Tank		
DWG NO		SHEET 1 OF 1	REV

COPYRIGHT RESERVED	SCALE	DRAWN	Markus	CHECKED		SIZE
FILE NAME: WCT1700.dft	1:20	DATE	10/05/17	DATE	10/05/17	A4