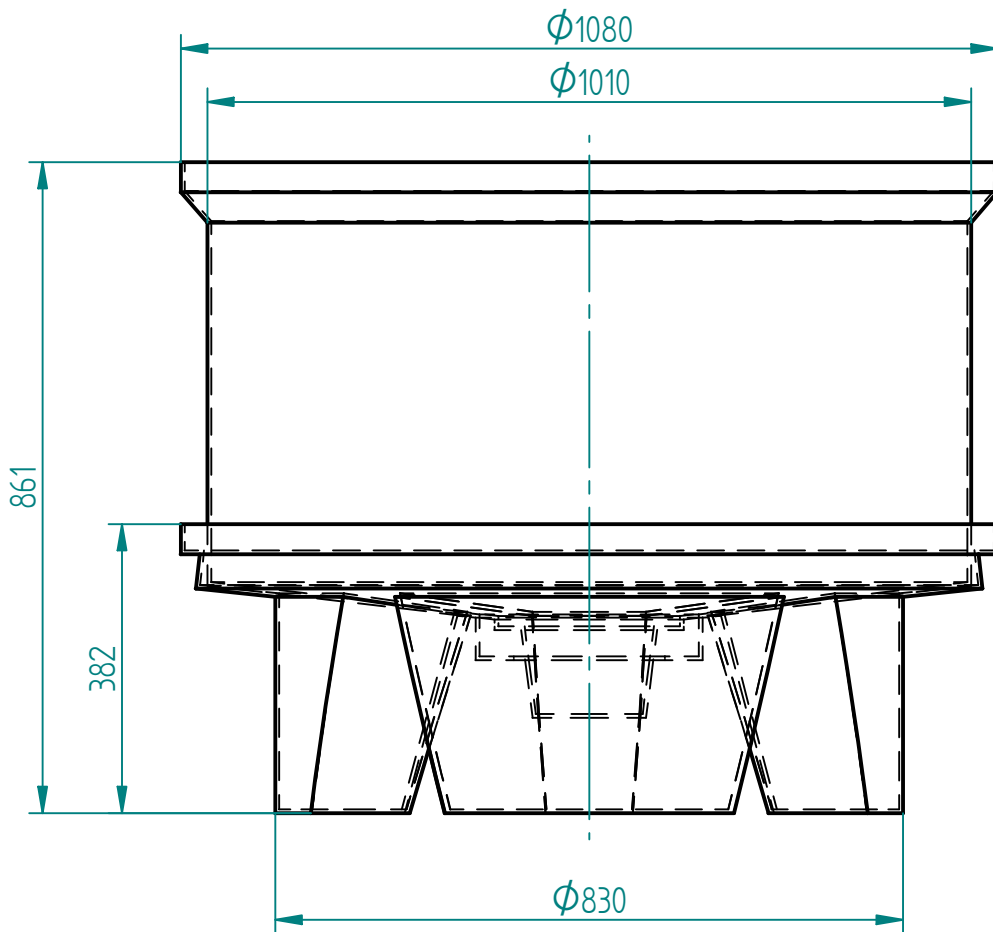
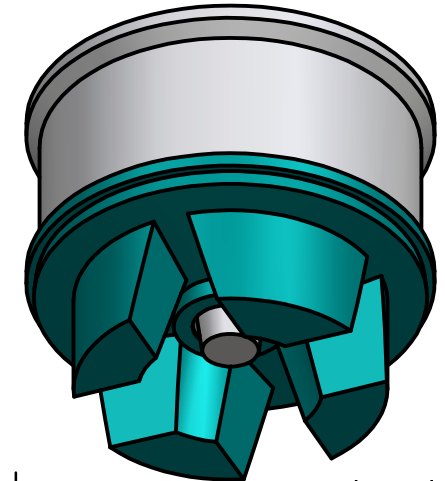
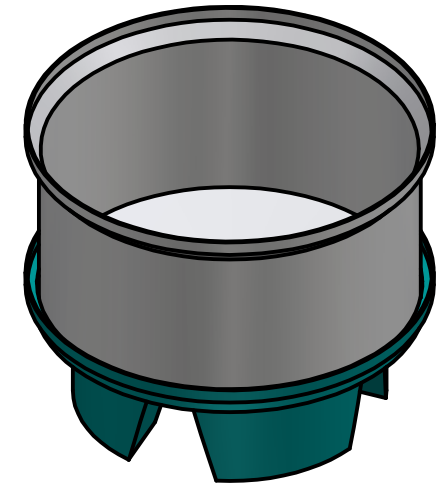


All dimensions are nominal



Nominal capacity 420 lts



REV	DESCRIPTION	DATE	APPROVED
REVISION HISTORY			
Copyright		INDAC	
INNOVATIVE DESIGN AND CONSTRUCTION			
Box 378		Phone: +64 3 578 3034	
26 Stuart Street		Fax: +64 3 578 2032	
Blenheim, N.Z.		Aust.Ph.: 1800 553 055	
www.indac.co.nz			
TITLE		WCT420	
COPYRIGHT RESERVED		SCALE 1:10	DRAWN Markus
FILE NAME: WCT420.dft	SHEET 1 OF 1	DATE	05/10/17
CHECKED		DATE	05/10/17
SIZE		A4	
DWG NO	WCT420-02		REV