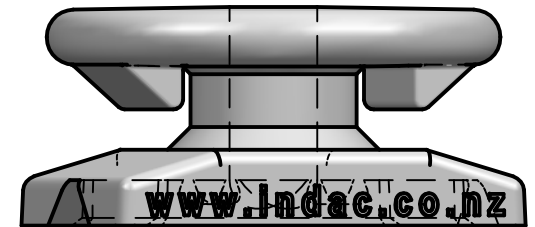
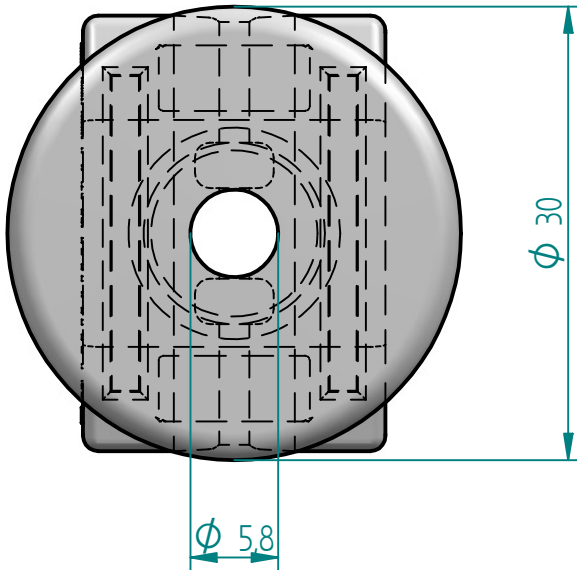


Gap for 2.5mm Wire = Product Code VSRBB
 Gap for 2.3mm Wire = Product Code VSRB2.3



REV	DESCRIPTION	DATE	APPROVED
REVISION HISTORY			
INDAC			
INNOVATIVE DESIGN AND CONSTRUCTION			
Box 378		Phone: +64 3 578 3034	
26 Stuart Street		Fax: +64 3 578 2032	
Blenheim, N.Z.		Aust.Ph.: 1800 553 055	
www.indac.co.nz		www.plasticproducts.co.nz	
TITLE Vine Stripper Retainer Button			
FILE NAME:	VSP2.5.dft	SCALE	2 : 1
DRAWN	Markus	CHECKED	
DATE	23/05/17	DATE	23/05/17
SIZE	A4	DWG NO	SHEET 1 OF 1
		REV	

COPYRIGHT RESERVED	SCALE	DRAWN	Markus	CHECKED		SIZE	
FILE NAME:	VSP2.5.dft	2 : 1	DATE	23/05/17	DATE	23/05/17	A4