

Indac Spinwelds

2 Start Threaded Fittings



The spinweld quick fit system allows fast and accurate insertion of threaded spinwelds into water tanks.



Indac 90 mm and 100 mm two start threaded fittings are made from medium density uv stable polyethylene. These threaded spinwelds are specially designed to easily spin into your water tanks giving a two start thread that matches the Vinidex PVC outlet fittings.



INDAC

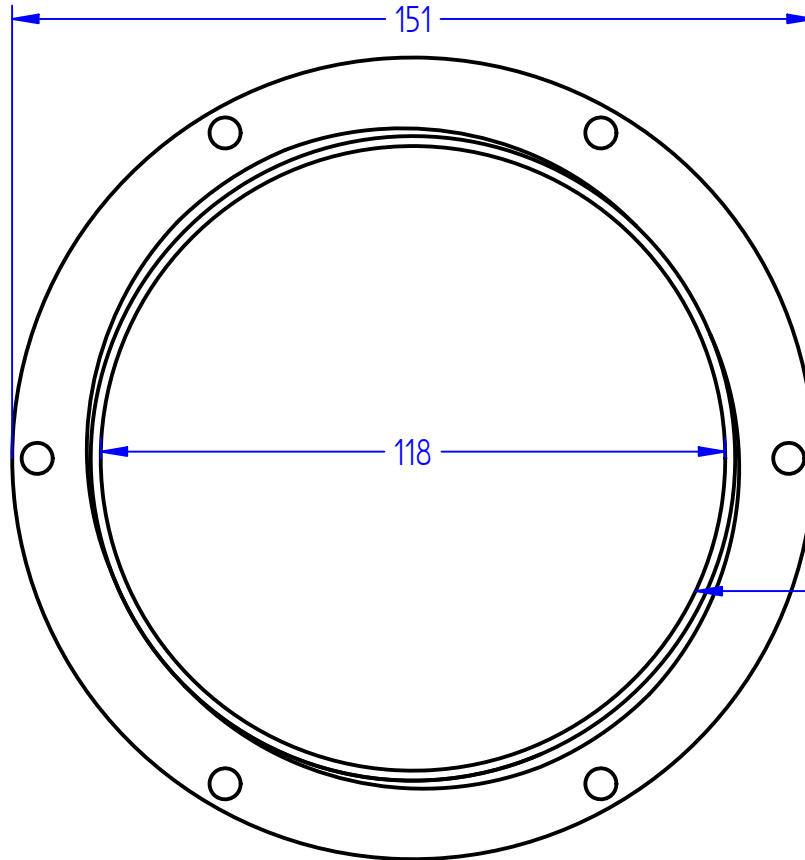
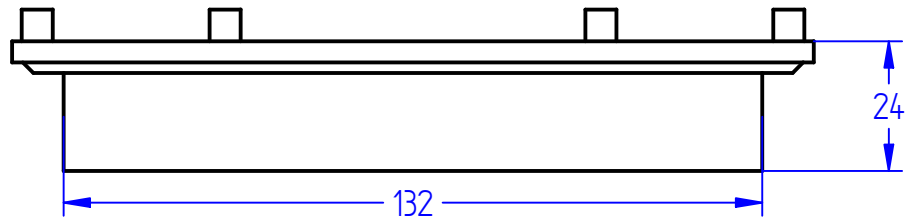
INNOVATIVE DESIGN AND CONSTRUCTION

FREEPHONE

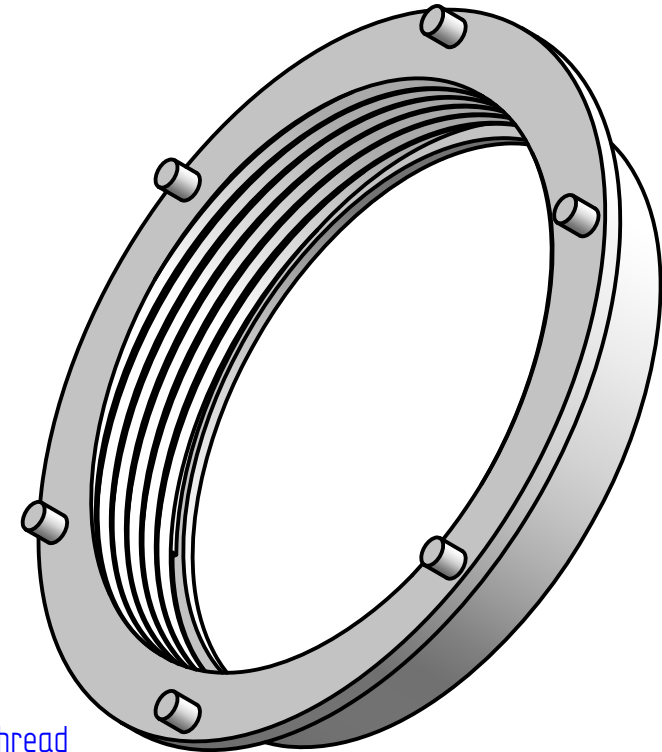
0800 803 888

www.indac.nz

Email info@indac.co.nz



Two Start 100mm thread



Product name: Spinweld Two Start Thread 100mm

Product code: XSWTST100N

COPYRIGHT RESERVED

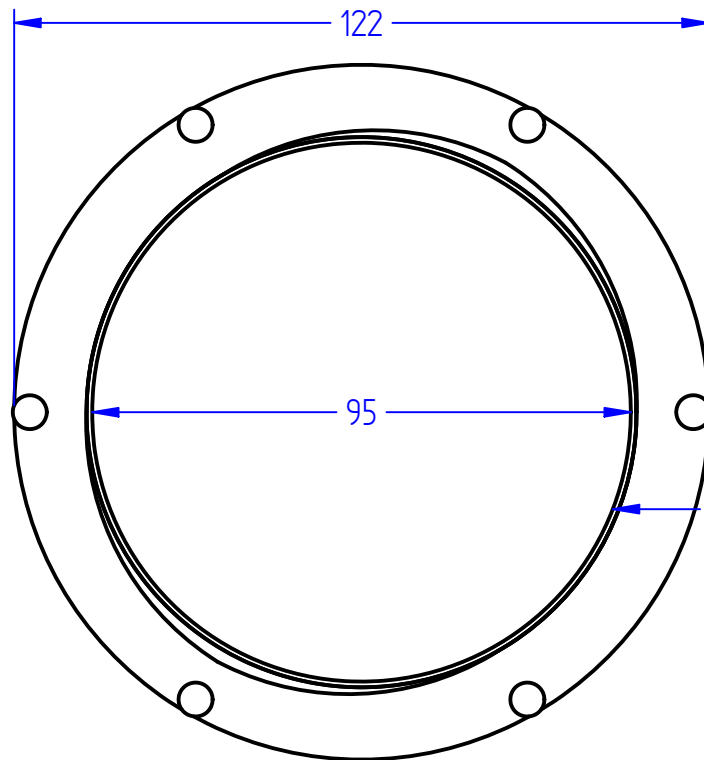
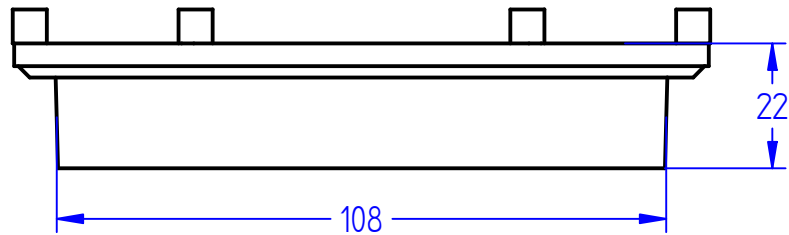
All dimensions and weights are nominal

FILE NAME: Two Start Thread 100mm.dft

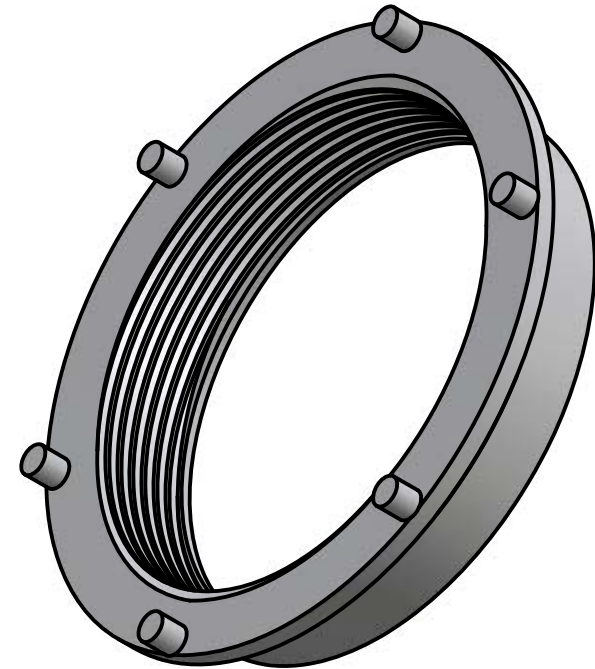
INDAC
INNOVATIVE DESIGN AND CONSTRUCTION

Box 378
26 Stuart Street
Blenheim, 7201

Phone: +64 3 578 3034
www.indac.co.nz
www.plasticproducts.co.nz



Two Start 90mm thread



Product name: Spinweld Two Start Thread 90mm

Product code: XSWTST90N

COPYRIGHT RESERVED

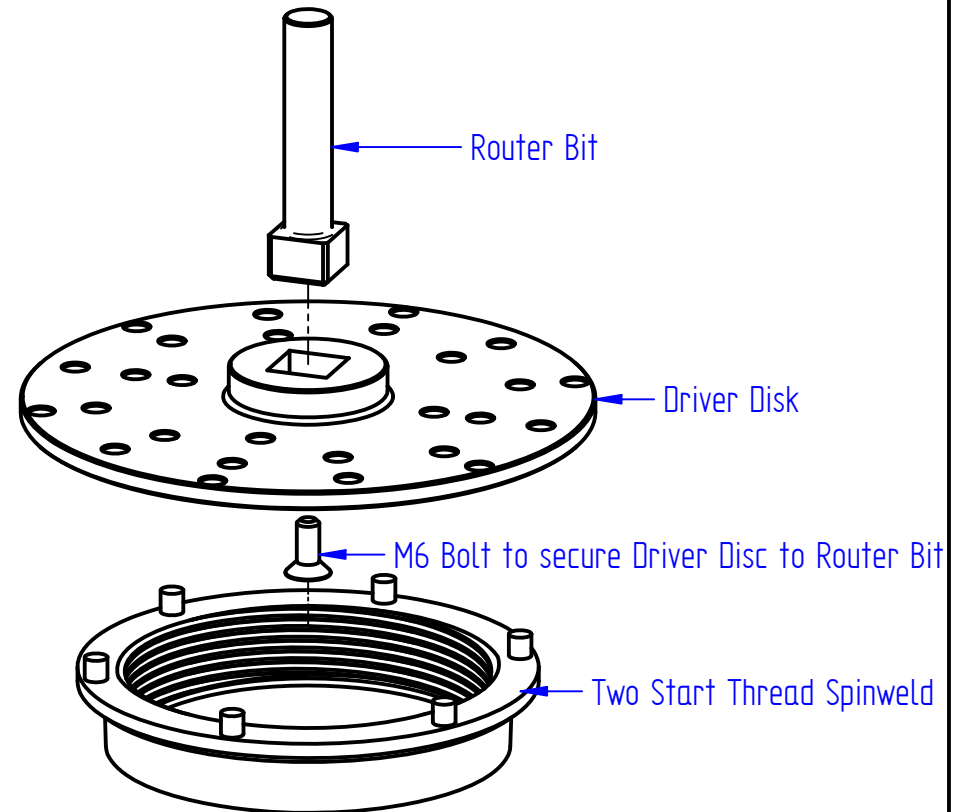
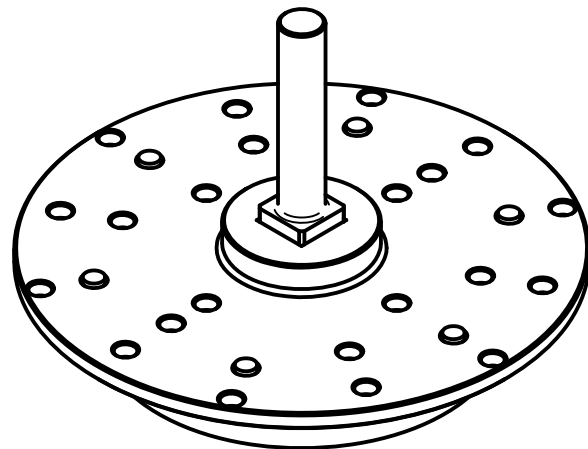
All dimensions and weights are nominal

FILE NAME: Two Start Thread 90mm.dft

INDAC
INNOVATIVE DESIGN AND CONSTRUCTION

Box 378
26 Stuart Street
Blenheim, 7201

Phone: +64 3 578 3034
www.indac.co.nz
www.plasticproducts.co.nz



Product name: Driver Disk Assembly

Product code: XSWDD

COPYRIGHT RESERVED

All dimensions and weights are nominal

FILE NAME: Driver disk assembly.dft

INDAC
INNOVATIVE DESIGN AND CONSTRUCTION

Box 378
26 Stuart Street
Blenheim, 7201

Phone: +64 3 578 3034
www.indac.co.nz
www.plasticproducts.co.nz