

Indac

Spinwelds

Spinweld Caps & Drivers.



Based on our successful quick fit system Spinweld caps are used for sealing vent holes in your rotomoulded products.



The Spinweld cap easily clips on to the driver.
 The driver fits our standard square drive router bit.
 The cap is spun into place creating a friction weld, sealing your vent hole.
 Using our special Spin Slick product will insure easy cleanup of any splatter.

Available in 7 sizes

Code	Description	Recommended for Holes
XSWCP015	Spinweld Cap 0-15mm	0-15mm
XSWCP1525	Spinweld Cap 15-25mm	15-25mm
XSWCP2535	Spinweld Cap 25-35mm	25-35mm
XSWCP3545	Spinweld Cap 35-45mm	35-45mm
XSWCP4555	Spinweld Cap 45-55mm	45-55mm
XSWCP5565	Spinweld Cap 55-65mm	55-65mm
XSWCP100	Spinweld Cap 100mm	80-100mm

INDAC

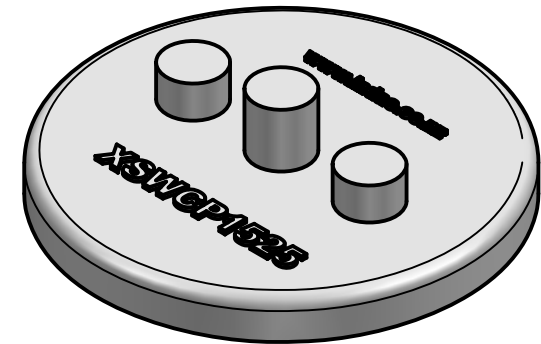
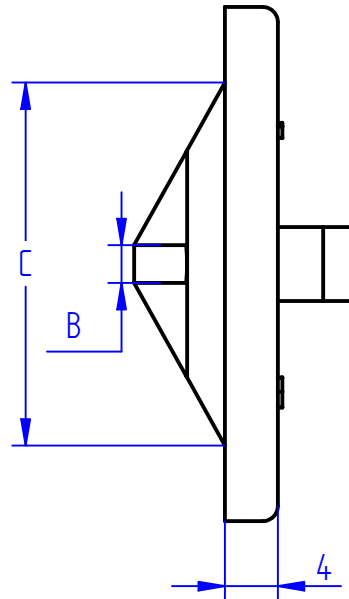
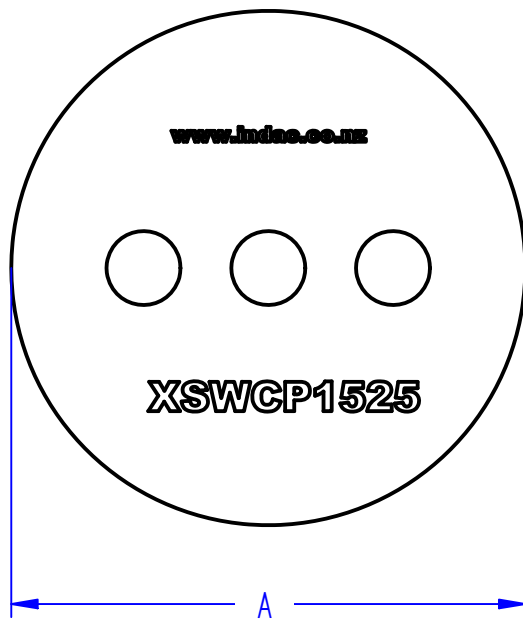
INNOVATIVE DESIGN AND CONSTRUCTION

FREEPHONE

0800 803 888

www.indac.nz

Email info@indac.co.nz



Spinweld Caps available

Code	Description	Recommended for Holes	" A "	" B "	" C "
XSWCP015	Spinweld Cap 0-15mm	0-15mm	Ø 28mm	0mm	15mm
XSWCP1525	Spinweld Cap 15-25mm	15-25mm	Ø 34mm	15mm	25mm
XSWCP2535	Spinweld Cap 25-35mm	25-35mm	Ø 48mm	25mm	35mm
XSWCP3545	Spinweld Cap 35-45mm	35-45mm	Ø 54mm	35mm	45mm
XSWCP4555	Spinweld Cap 45-55mm	45-55mm	Ø 64mm	45mm	55mm
XSWCP5565	Spinweld Cap 55-65mm	55-65mm	Ø 74mm	55mm	65mm
XSWCP100	Spinweld Cap 100mm	80-100mm	Ø 120mm	80mm	100mm

Product name: Spinweld Caps

Product code: See Above Table

COPYRIGHT RESERVED

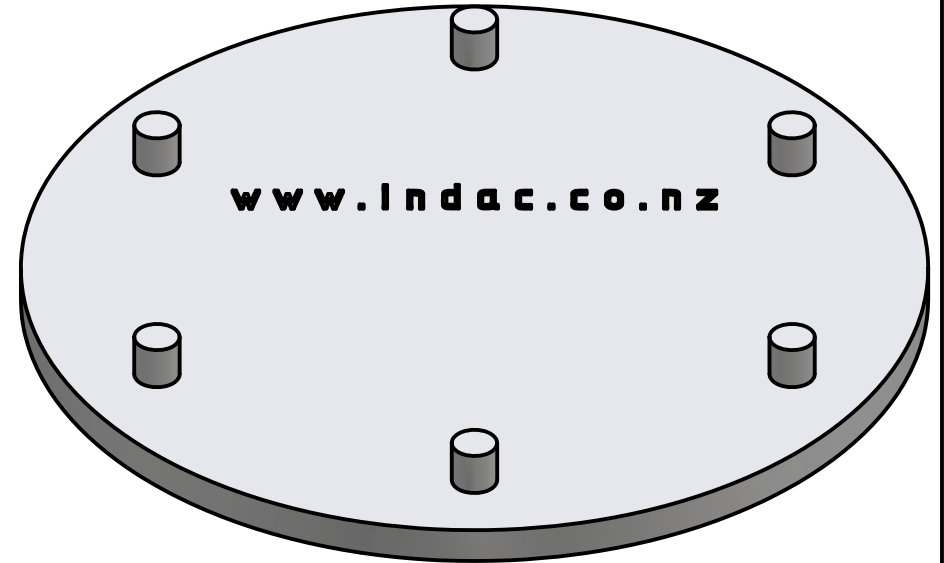
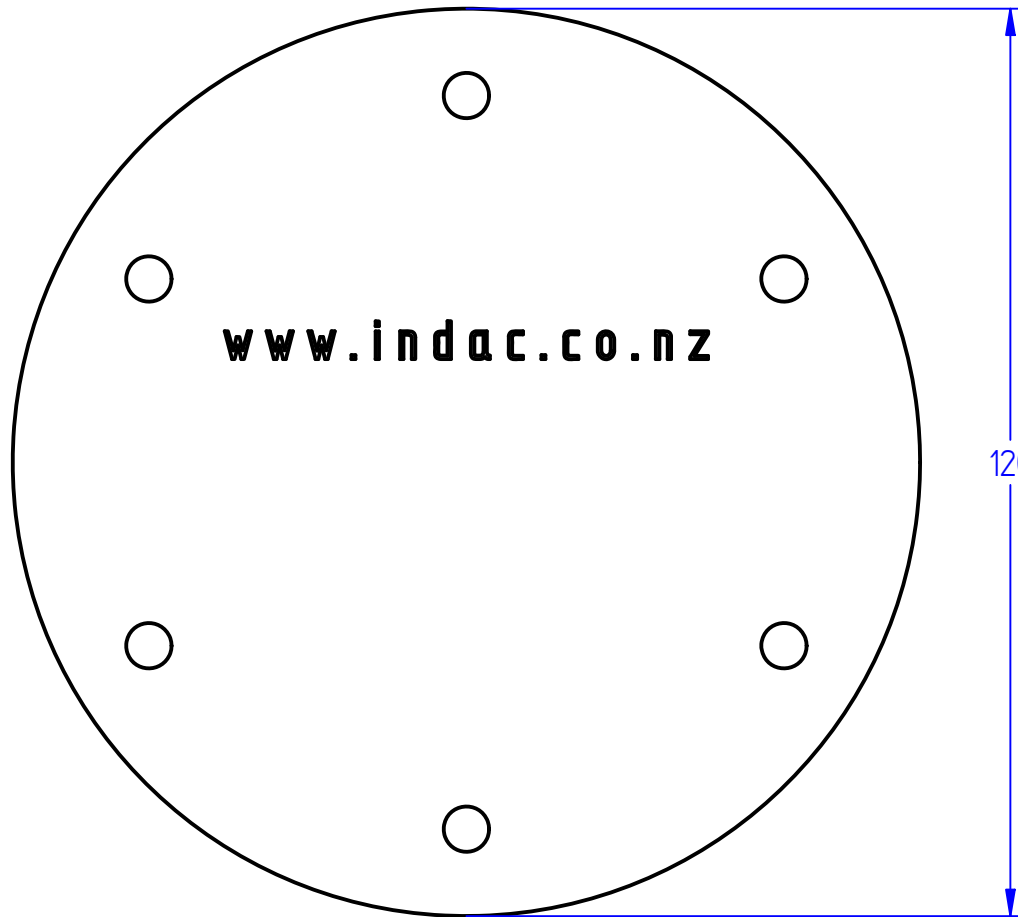
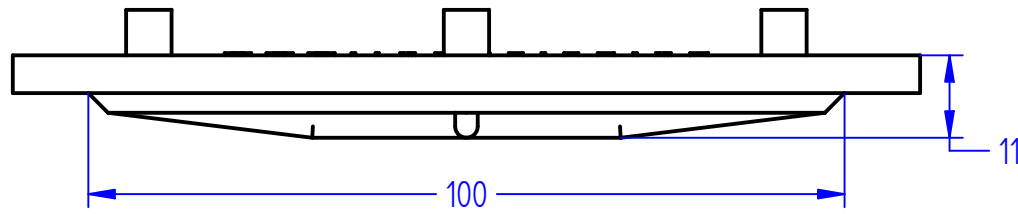
All dimensions and weights are nominal

FILE NAME: Spinweld Caps with table.dft



Box 378
26 Stuart Street
Blenheim, 7201

Phone: +64 3 578 3034
www.indac.co.nz
www.plasticproducts.co.nz



Product name: Spinweld cap 100mm

Product code: XSWCP100

COPYRIGHT RESERVED

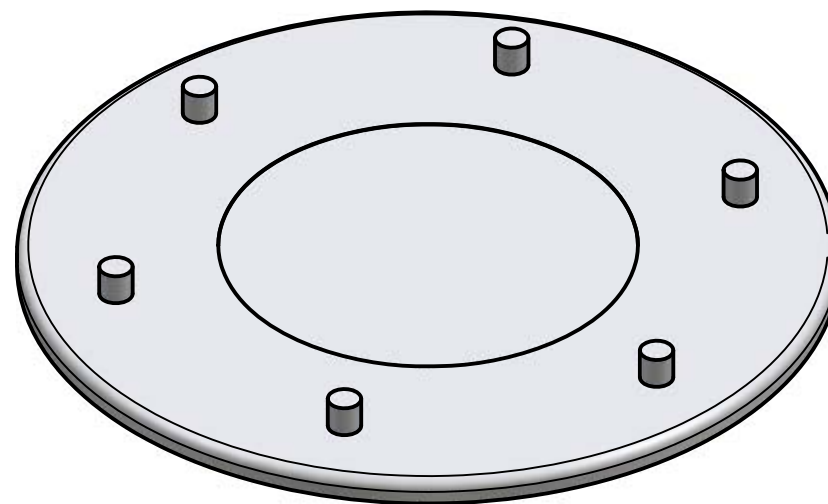
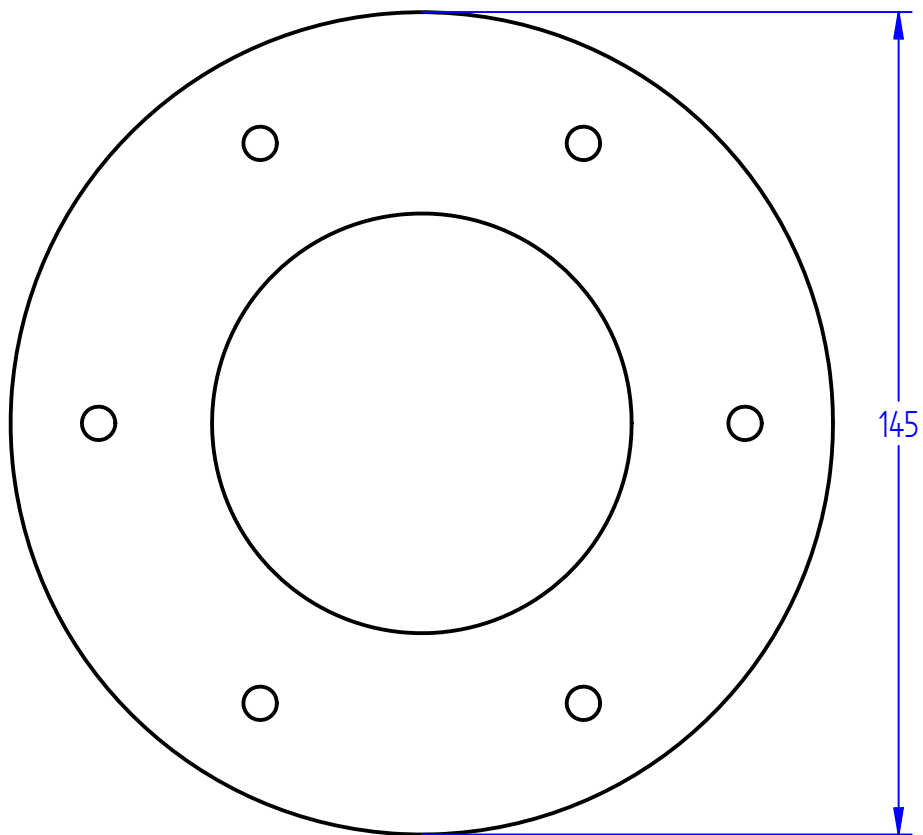
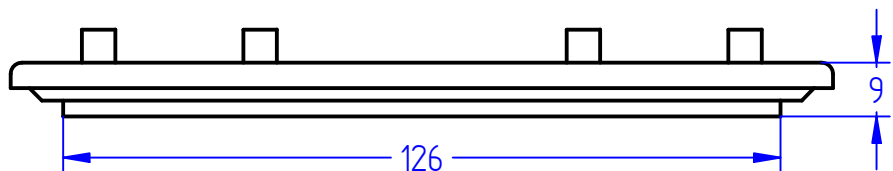
All dimensions and weights are nominal

FILE NAME: Spinweld cap 100mm.dft

INDAC
INNOVATIVE DESIGN AND CONSTRUCTION

Box 378
26 Stuart Street
Blenheim, 7201

Phone: +64 3 578 3034
www.indac.co.nz
www.plasticproducts.co.nz



Product name: Spinweld Cap 127mm

Product code: XSWCP127

COPYRIGHT RESERVED

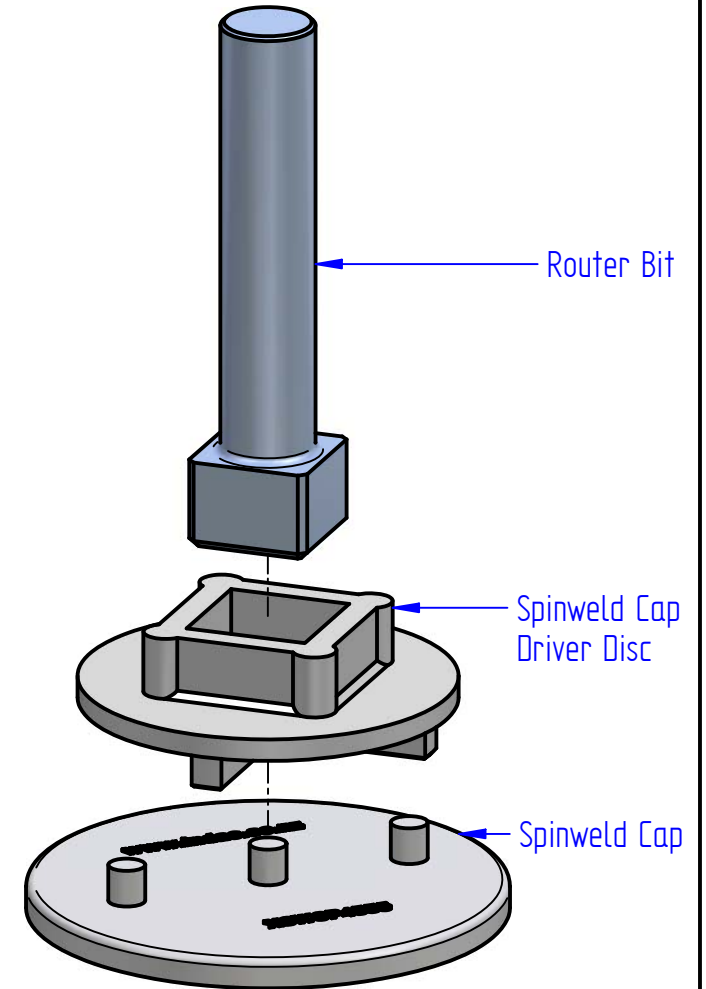
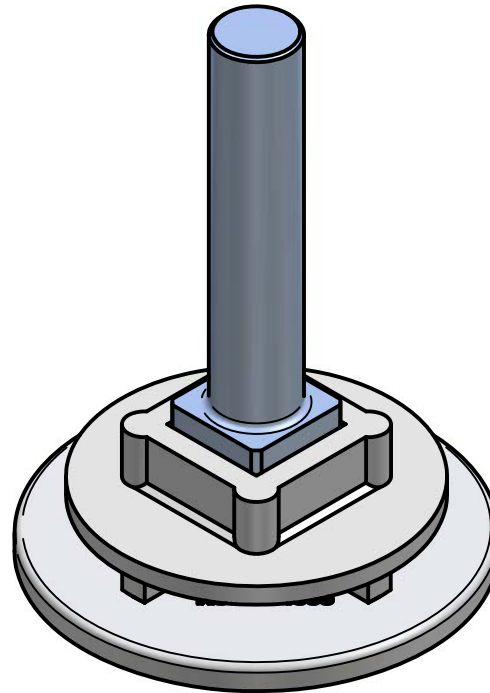
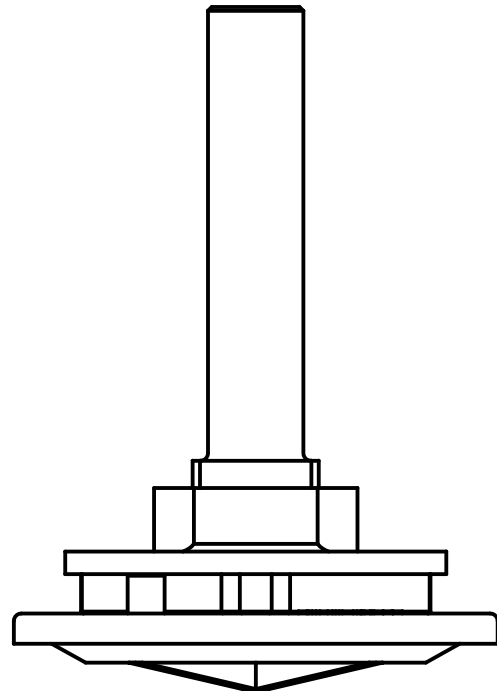
All dimensions and weights are nominal

FILE NAME: Spinweld Cap 127mm.dft

INDAC
INNOVATIVE DESIGN AND CONSTRUCTION

Box 378
26 Stuart Street
Blenheim, 7201

Phone: +64 3 578 3034
www.indac.co.nz
www.plasticproducts.co.nz



Product name: Spinweld Cap Driver Large/Small

Product code: XSWCDL / XSWCDS

COPYRIGHT RESERVED

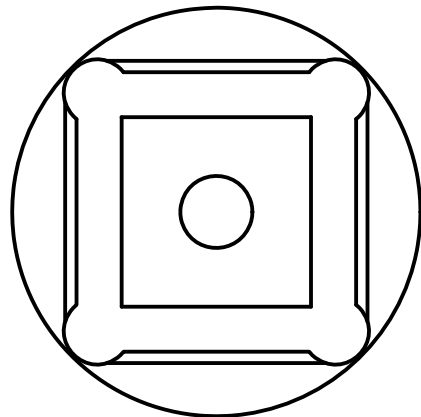
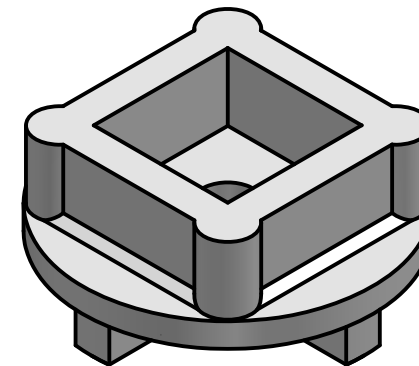
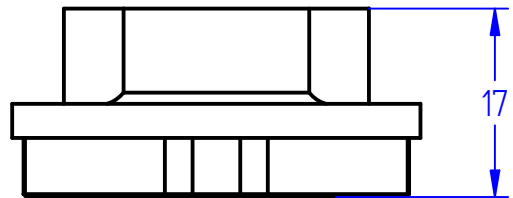
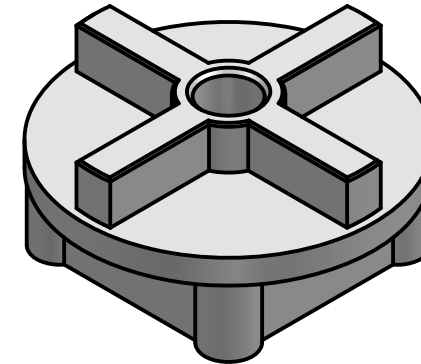
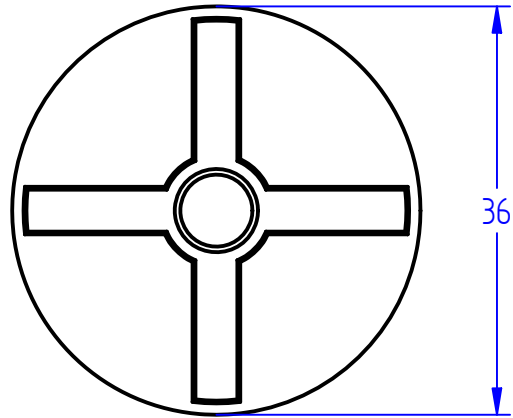
All dimensions and weights are nominal

FILE NAME: Spinweld Cap Driver assembly line drawing.dft

INDAC
INNOVATIVE DESIGN AND CONSTRUCTION

Box 378
26 Stuart Street
Blenheim, 7201

Phone: +64 3 578 3034
www.indac.co.nz
www.plasticproducts.co.nz



Product name: Spinweld Cap Driver Small

COPYRIGHT RESERVED



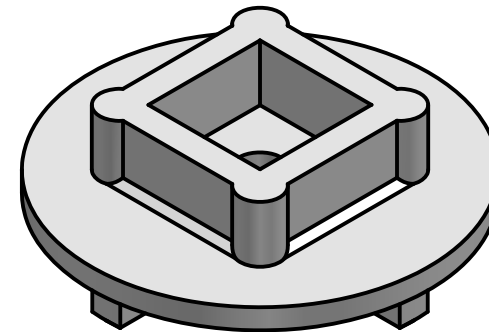
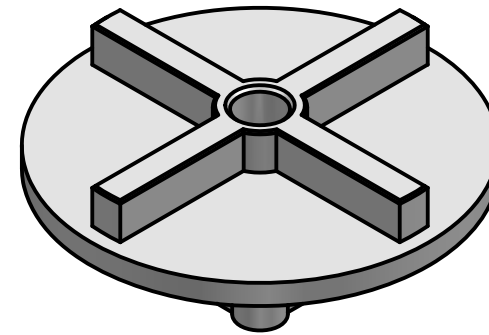
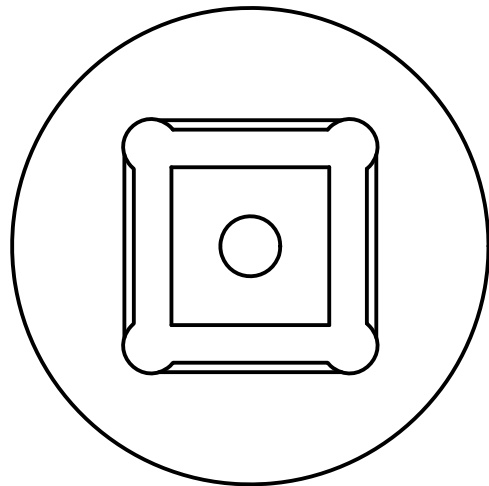
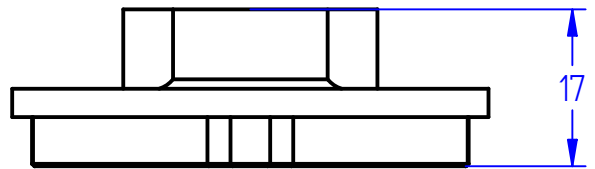
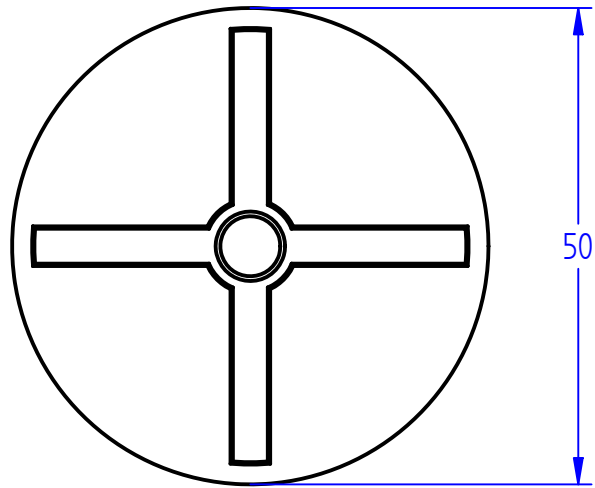
Product code: XSWCDS

All dimensions and weights are nominal

FILE NAME: Spinweld Cap Driver Small.dft

Box 378
26 Stuart Street
Blenheim, 7201

Phone: +64 3 578 3034
www.indac.co.nz
www.plasticproducts.co.nz



Product name: Spinweld Cap Driver Large

Product code: XSWCDL

COPYRIGHT RESERVED

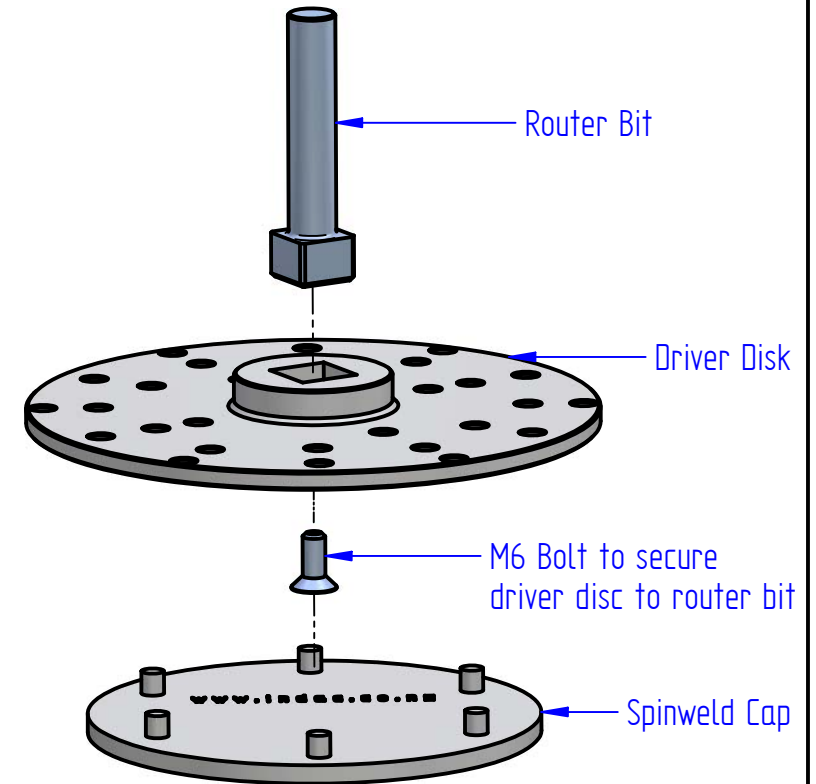
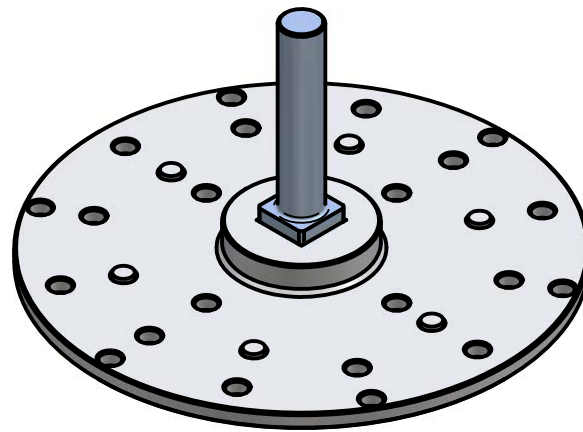
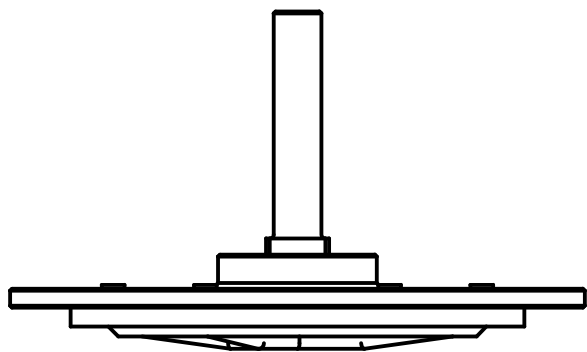
All dimensions and weights are nominal

FILE NAME: Spinweld Cap Driver Large.dft

INDAC
INNOVATIVE DESIGN AND CONSTRUCTION

Box 378
26 Stuart Street
Blenheim, 7201

Phone: +64 3 578 3034
www.indac.co.nz
www.plasticproducts.co.nz



Product name: Driver Disk for large Spinweld Caps

Product code: XSWDD

COPYRIGHT RESERVED

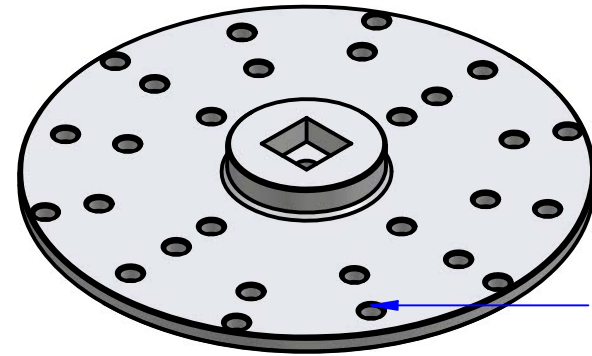
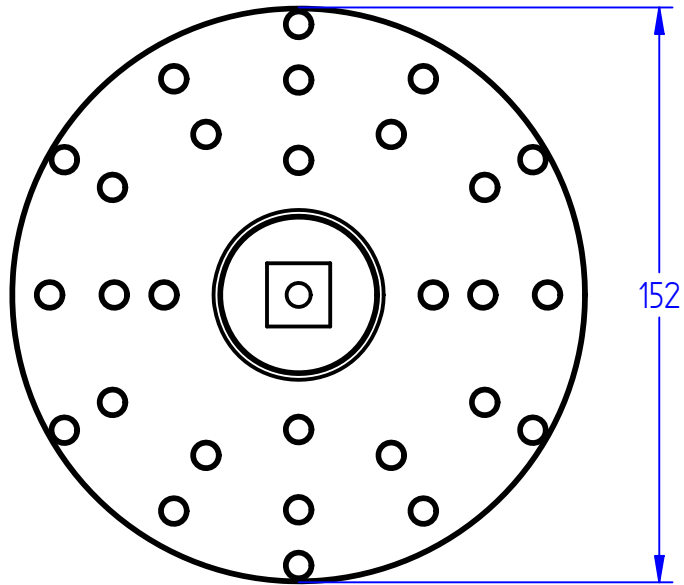
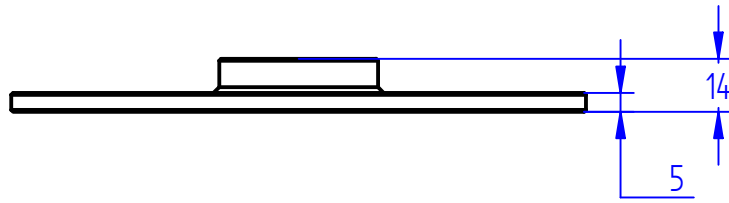
All dimensions and weights are nominal

FILE NAME:Driver disk with Spinweld cap 100mm.dft

INDAC
INNOVATIVE DESIGN AND CONSTRUCTION

Box 378
26 Stuart Street
Blenheim, 7201

Phone: +64 3 578 3034
www.indac.co.nz
www.plasticproducts.co.nz



Hole pattern matches Spinweld fittings

Product name: Spinweld Driver Disk

Product code: XSWDD

COPYRIGHT RESERVED

All dimensions and weights are nominal

FILE NAME: Spinweld Driver Disc.dft

INDAC
INNOVATIVE DESIGN AND CONSTRUCTION

Box 378
26 Stuart Street
Blenheim, 7201

Phone: +64 3 578 3034
www.indac.co.nz
www.plasticproducts.co.nz